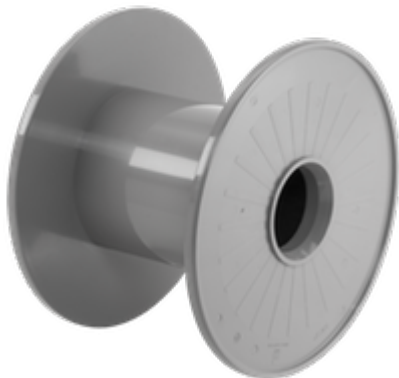


REEL GM 500/127-355

07 General reels, 10 GM - reels



Reusable

Winding material : data cable, power cables, Extruded cables

Material : ABS

Standard winding volume : 46387 cm³

Central bore Ø : 127 mm

Catalogue categorization: 07 , 10

DIN 46395

TECHNICAL DATA - SPOOLS

Spools

Flange Ø	Barrel Ø	Central bore Ø	Width	Winding width	Flange thickness	Winding-volume	Central bore Ø tapered part	Drive-hole/pin	Drive-distance
d1 [mm]	d2 [mm]	d3 [mm]	L1 [mm]	L2 [mm]	S [mm]	V [cm ³]	d4 [mm]	d5 [mm]	E1 [mm]
500	250	16 - 127	355	50 - 315	20	7363 - 46388	143.5		

PACKAGING

Designation	Cardboard box	Cardboard box weight	Cardboard box Outside Deminsions	Pallets	Pallet weight	Pallet's external dimensions

Designation	Cardboard box	Cardboard box weight	Cardboard box Outside Deminsions	Pallets	Pallet weight	Pallet's external dimensions
-------------	---------------	----------------------	----------------------------------	---------	---------------	------------------------------

	piece	kg	cm	piece	kg	cm
Reel GM 500/127-355	-	-		25	216	100x120x197

Important:

If pallet packaging is indicated, this is the preferred method of packing the spools. Please note that the pallets must not be stored in direct sunlight, as the heat build-up may cause the plastic to warp permanently.

TECHNICAL DRAWING

Spools

