

REEL HK 80 S

13 Fine wire reels, 02 Spools with conical flanges



Reusable

Winding material : Bond wires, Stainless steel wires, Fine wires, Enamelled copper wire, Weaving wire

Material : PS, ABS

Standard winding volume : 220 cm³

Central bore Ø : 16 mm

Catalogue categorization: 13 , 02

TECHNICAL DATA - SPOOLS

Spools

Flange Ø	Barrel Ø	Central bore Ø	Width	Winding width	Flange thickness	Winding-volume	Central bore Ø tapered part	Drive-hole/pin	Drive-distance
d1 [mm]	d2 [mm]	d3 [mm]	L1 [mm]	L2 [mm]	S [mm]	V [cm ³]	d4 [mm]	d5 [mm]	E1 [mm]
80	55	8 - 16	100	69.5	15	220			

Container

Designation	Outer Ø	Overall height	Inner Ø bottom	Inner Ø top	
	d1 max	h1 max	d2	d3	h2 min
Container VD 100	107	105.5	-	-	-

PACKAGING

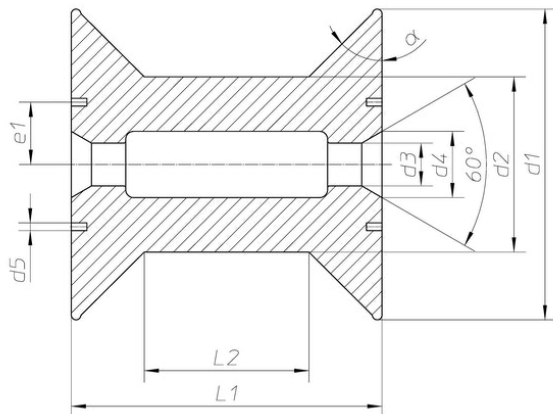
Designation	Cardboard box	Cardboard box weight	Cardboard box Outside Deminsions	Pallets	Pallet weight	Pallet's external dimensions
	piece	kg	cm	piece	kg	cm
Reel HK 80 S	180	15.8	65x45x35	0	-	
Container VD 100	144	9.3	68x44x74	0	0	

Important:

If pallet packaging is indicated, this is the preferred method of packing the spools. Please note that the pallets must not be stored in direct sunlight, as the heat build-up may cause the plastic to warp permanently.

TECHNICAL DRAWING

Spools



Container

