

REEL SP 250/36

04 Cylindrically barrelled delivery spools



Reusable

Winding material : Enamelled copper wire, Alloy wires

Standard winding volume : 4637 cm³

Central bore Ø : 36 mm

Catalogue categorization: 04

DIN EN 60264-2-1 Cylindrically barrelled delivery spools - Dimensions

TECHNICAL DATA - SPOOLS

Spools

Flange Ø	Barrel Ø	Central bore Ø	Width	Winding width	Flange thickness	Winding- volume	Central bore Ø tapered part	Drive- hole/pin	Drive- distance
d1 [mm]	d2 [mm]	d3 [mm]	L1 [mm]	L2 [mm]	S [mm]	V [cm ³]	d4 [mm]	d5 [mm]	E1 [mm]
250	160	36	200	160	20	4637			

Container

Designation	Outer Ø	Overall height	Inner Ø bottom	Inner Ø top	
	d1 max	h1 max	d2	d3	h2 min
Container VB 250/36	304	273	-	-	-

PACKAGING

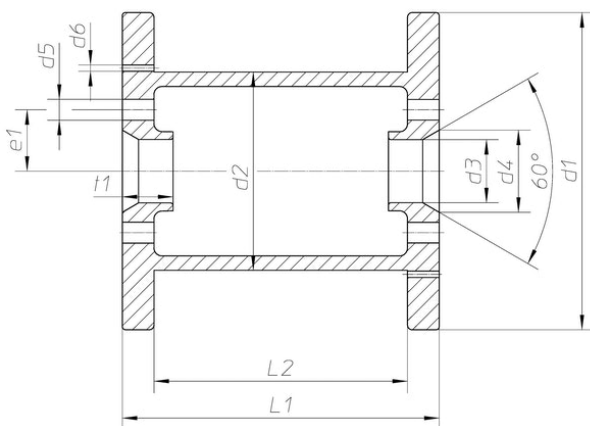
Designation	Cardboard box	Cardboard box weight	Cardboard box Outside Deminsions	Pallets	Pallet weight	Pallet's external dimensions
	piece	kg	cm	piece	kg	cm
Reel SP 250/36	8	22	52 x 52 x 45	96	249	100x120x137
Container VB 250/36	0	0		96	155	112x120x188

Important:

If pallet packaging is indicated, this is the preferred method of packing the spools. Please note that the pallets must not be stored in direct sunlight, as the heat build-up may cause the plastic to warp permanently.

TECHNICAL DRAWING

Spools



Container

